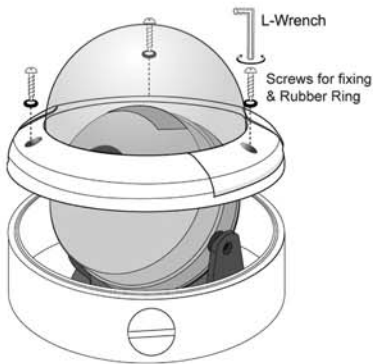
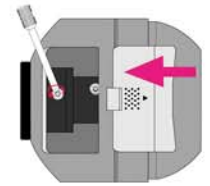
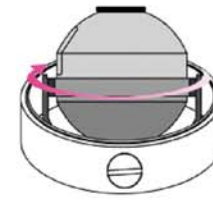
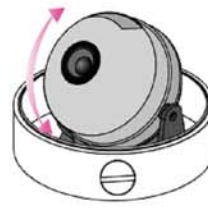
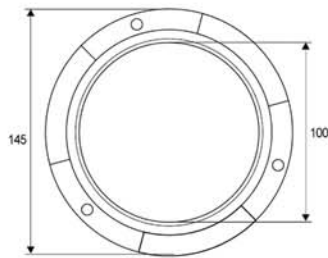
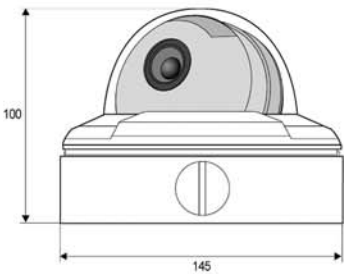




Features

- ✓ 1/3" Sony H.Q.1 CCD 550 TV Lines
- ✓ Outdoor Weather Proof: IP66
- ✓ Uniquely designed manual pan/tilt function makes the camera mounting friendly for ceiling or wall. (3 Axis)
- ✓ Heavy duty vandal resistant with security screw.
- ✓ Built-in 2.8~11 DC Auto Iris Lens / 0.2 LUX
- ✓ AC/DC power



Specification

Image Sensor Device	1/3" Sony H.Q.1 CCD
Total Pixels	NTSC: 811(H) x 508(V) PAL: 795(H) x 596(V)
Effective Pixels	NTSC: 768(H) x 494(V) PAL: 752(H) x 582(V)
Scanning System	2:1 Interlaced (NTSC) 525 Lines / (PAL) 625 Lines
Scanning Frequency	(NTSC: 15,734KHz (H) / 60Hz) / (PAL: 15,625KHz (H) / 50Hz)
Shutter Speed	(NTSC: 1/60~1/100,00 sec) / (PAL: 1/50~1/100,000 sec)
Sync System	Internal
Resolution	More than 550 TV Lines
Video Output	VBS, 1.0V p-p Composite
White Balance	ATW
BLC	ON/OFF
Flickerless	ON/OFF
AGC	ON/OFF
S/N Ratio	More than 48dB (AGC Off)
Lens	2.8~11mm DC Auto Iris Lens / 0.2 LUX
Operating Temperature	-10°C to 50°C
Power Consumption	DC 12V, 80mA / AC 24V, 60mA
Weight	Approx: 1.32 lbs
Dimension	5.71"(W) x 3.94"(D)